

Access Door - Fire resistant - Ceiling Mounted

The access panel consists of aluminium profiles with plasterboard inlay GKF 12.5 mm, 15 mm, 18 mm, 20mm or 25mm.

Both, an outer and an inner frame of the access panel consist of four single frames, which are firmly connected due to a special welding process. The access panel is equipped with two catchwires. In order to avoid accidents, this safety-system has to be secured after each opening.

A joint gap of 1.5 mm is visible between outer frame and door leaf, which is equipped with a circumferential fire-resistant seal (foaming). The concealed snap locks open the access panel when pressure is applied to the flap on the spring loaded latch side.

Capabilities

In non-load bearing ceilings of the fire resistance class:

- EI30 with cladding of 12.5 mm, 15 mm, 18 mm, 20 mm or 25 mm.
- Tested in accordance with the "European Norms EN 1364-2 and EN 1634-3".

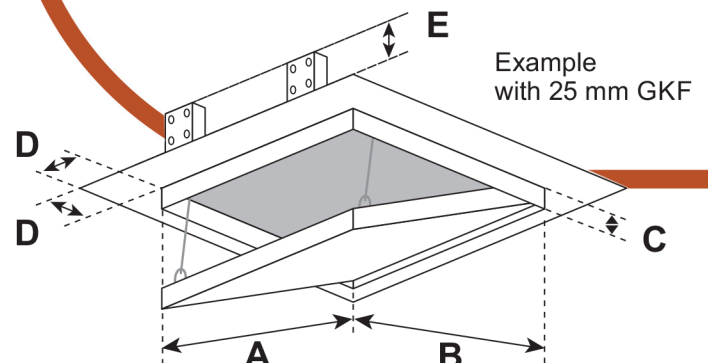
Dimensions

The access panel fire resistance is available in the following standard sizes. Dimensions A and B as follows:

- 200 x 200mm,
- 300 x 300mm,
- 400 x 400mm,
- 500 x 500mm,
- 600 x 600mm,
- tested up to 800 x 800mm.

Dimensions D and E remain constant. Dimension C corresponds to the respective cladding thicknesses.

Customized sizes can be produced in every dimension upon enquiry.



D = 28 mm
E = 40 mm

All dimensions are available for cladding thicknesses of 12.5 mm, 15 mm, 18 mm, 20 mm or 25 mm

Locks

The access panel can be equipped with the following types of locks:

- Four-square lock with white collar,
- Round-cylinder lock with key,
- Profile cylinder lock with metal collar.